

Electronic Pressure Transducer

Type Series 600

for OEM applications

Features

Compact size
Rugged stainless steel construction
Ceramic sensor technology

Measuring ranges

0...10 bar to 0...400 bar

Applications

OEM applications
Stationary and mobile hydraulics
Pneumatics



Technical Data

Linearity error:	$\leq \pm 1$ % f.s. $\leq \pm 0.5$ % typical f.s.
Typical Life Cycle:	100 million cycles
Proof Pressure:	2 times rated pressure, or 600 bar max., whichever is less.
Power Supply:	8...30 V DC, reversed polarity protection (SELV, PELV)
Output:	4-20 mA (2-wire), other on request
Wetted Parts:	316 Stainless steel, ceramic and FKM O-ring
Protection class:	NEMA 4X IP65, IP67 (based on electrical connection)*
Process Connection:	G1/4", other on request

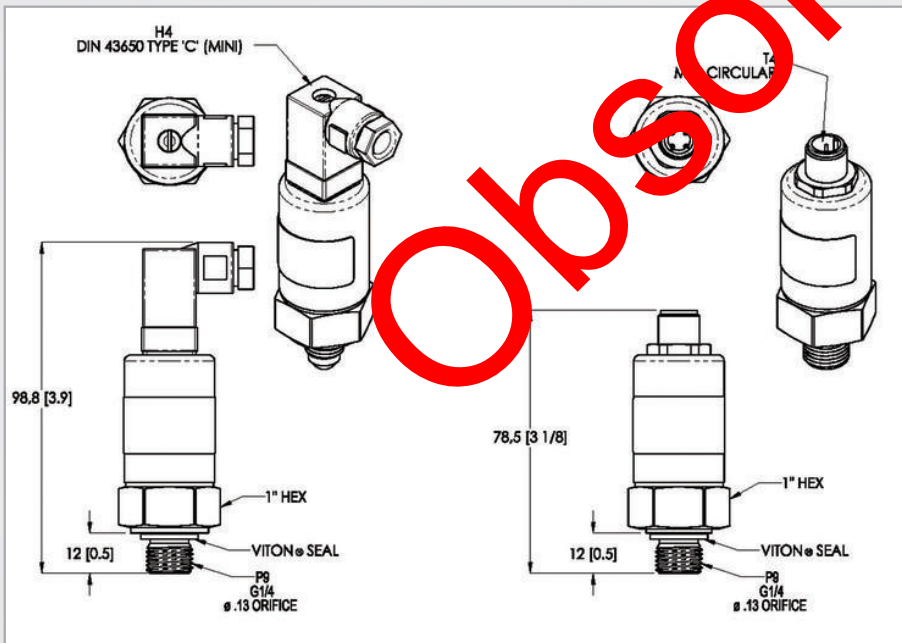
Electrical Connection:	M12x1-plug DIN-EN 175 301-803-C (prev. DIN43650)
Temperature Ranges:	Operating: -40°C to +85°C Electronics: 0°C to +55°C Storage: -40°C to +85°C
Temperature influence:	$\pm 0,06$ % FS/K over operating temperature range
Vibration:	15 g, 10-2000 Hz, MIL-STD 202
Shock:	50 g, 11 ms, MIL-STD 202 Method 213, Cond. G.,
Weight:	145 grams

* Mating connector must be properly installed to preserve enclosure rating

Electronic Pressure Transducer

Type Series 600

Dimensions (mm / inch)



Wiring code

Electrical Termination	Current Output	
	H4 / T4	DIN-C
1	Power Supply	+ Excitation
2	Not used	Common
3	Common	Not used
4	Case Ground	Case Ground

Order Numbers

Pressure range [bar] relative pressure	Electrical Connection DIN43650 C	Electrical Connection M12x1
10	0437-010	0437-018
20	0437-011	0437-019
50	0437-012	0437-020
60	0437-013	0437-021
100	0437-014	0437-022
200	0437-015	0437-023
250	0437-016	0437-024
400	0437-017	0437-025