

Flow Switches

BFS-30-N / BFS-30-O

for liquids from 30 up to 600 cSt,
with or without optical display

Features

viscosity compensated from 30 up to 600 cSt,
set point continuously adjustable,
rugged, low hysteresis, any mounting position,
high accuracy and functional safety,
optional with pointer-indicating instrument,
ship approvals available for N-versions

Measuring ranges

0.5...1.5 l/min to 35...110 l/min
for liquids from 30 up to 600 cSt.

Applications

Measuring and monitoring of liquids, e. g. in cooling
or hydraulic systems, test beds, pumps etc.



Technical Data

BFS-30-N (without indication)				
Measuring principle:	variable aera flow meter			
Materials:	brass version		stainless steel vers.	
Flow meter:	brass		1.4571	1.4571
Spring:	1.4571		1.4571	1.4571
Fitting:	brass, nickel-plated		1.4571	
Housing:	brass, nickel-plated		1.4571	
Operating pressure:	brass	brass GL	VA	Press.drop
BFS-30-N, N E:	250 bar	100 bar	300 bar	0,02...0,4 bar
BFS-30-L:	300 bar	100 bar	350 bar	0,02...0,2 bar
Operating temp.:	120 °C (standard), 160 °C (option HT)			
Accuracy:	±10% f. s.			
Electrical connection:	plug acc. to DIN EN 175301-803 (former DIN 43650C)			
Contact rating:	BFS-30-L		(NO)	
	230 V / 3 A / 60 VA		(SPDT)	
	250 V / 1,5 A / 50 VA		(NO)	
	250 V / 3 A / 100 VA		(SPDT)	
	250 V / 1,5 A / 50 VA			
Protection class:	IP65 (plug acc. to DIN EN 175301-803 - former DIN 43650C) IP67 (with moulded cable)			
Approvals:	e.g. GL, BV,...see www.barksdale.de			

Technical Data

BFS-30-O (with optical indication)			
Measuring principle:	variable aera flow meter		
Materials:	brass version		stainless steel vers.
Flow meter:	brass		1.4571
Spring:	1.4571		1.4571
Fitting:	brass, nickel-plated		1.4571
Housing:	brass, nickel-plated		1.4571
Display Housing:	Makrolon		
Operating pressure:	brass	VA	Press. drop
BFS-30-O, O E:	250 bar	300 bar	0,02...0,4 bar
Operating temp.:	120 °C (standard), 160 °C (option HT)		
Accuracy:	±10% f. s.		
Electrical connection:	plug acc. to DIN EN 175301-803 (former DIN 43650C)		
Contact rating:	BFS-30-O, O E		(NO)
	250 V / 3 A / 100 VA		(SPDT)
	250 V / 1,5 A / 50 VA		
Protection class:	IP65 (plug acc. to DIN EN 175301-803 - former DIN 43650C) IP67 (with moulded cable)		
Approvals:	see www.barksdale.de		

Switch ranges

versions	in l/min	Process connections
BFS-30-L:	0,5...1,6	G1/2
	0,8...3,0 / 2,0...7,0	
BFS-30-N:	0,5...1,5 / 1,0...4,0	G1
	2,0...8,0 / 3,0...10	
	5,0...15 / 8,0...24	
	10...30 / 15...45	
	20...60 / 30...90	
	35...110	
BFS-30-N E:	1,0...20 / 4,0...40	G1
	5,0...50 / 8,0...60	
	12...70 / 15...80	

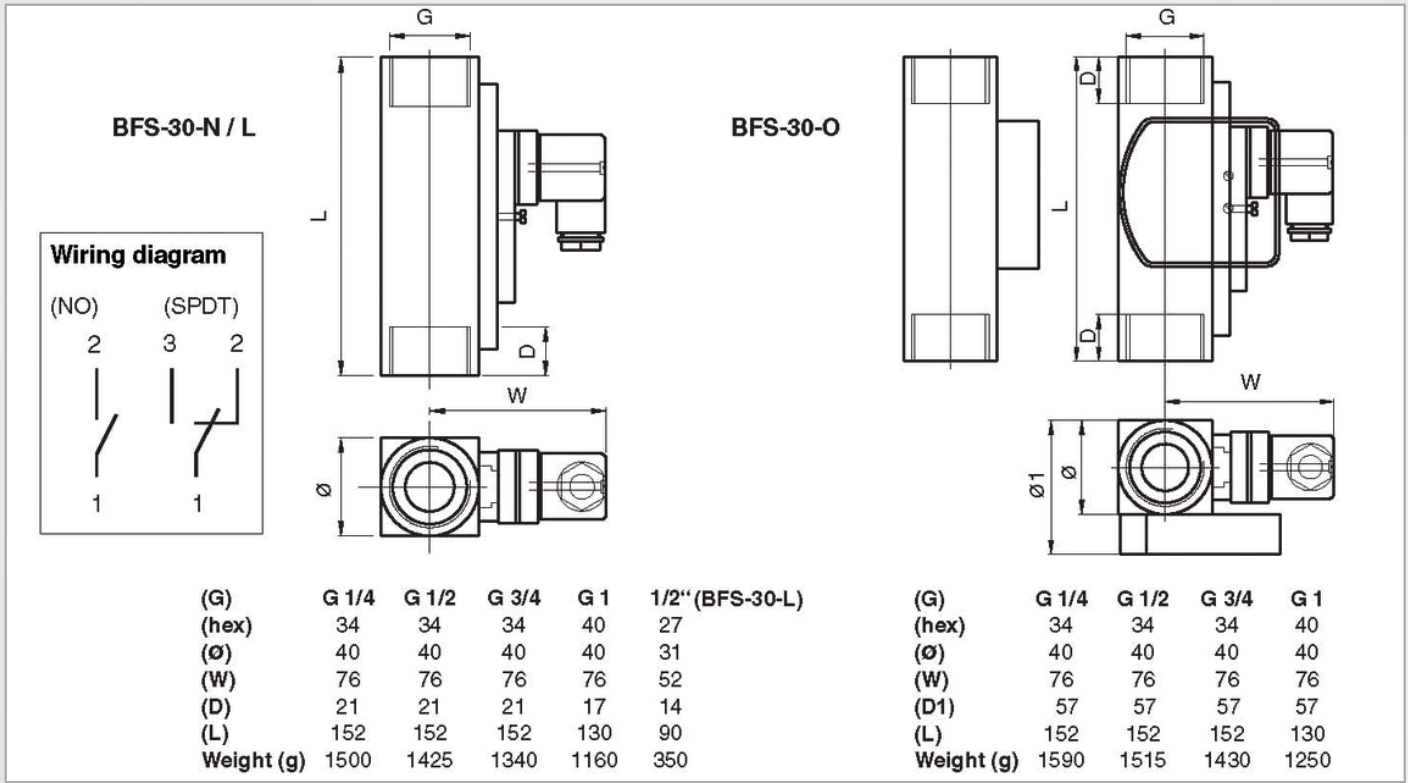
Switch ranges

versions	in l/min	Process connection
BFS-30-O:	0,5...1,5 / 1,0...4,0	G1
	2,0...8,0 / 3,0...10	
	5,0...15 / 8,0...24	
	10...30 / 15...45	
	20...60 / 30...90	
	35...110	
BFS-30-O E:	1,0...20 / 4,0...40	G1
	5,0...50 / 8,0...60	
	12...70 / 15...80	

Flow Switches

BFS-30-N / BFS-30-O

Dimensions (mm / inch)



Order Code

Brass	Description	Stainless Steel	Description
0713-266.X	BFS-30-L-G1/2-MS-NO-ST	0713-269.X	BFS-30-L-G1/2-SS-NO-ST
0713-267.X	BFS-30-N-G1-MS-NO-ST	0713-270.X	BFS-30-N-G1-SS-NO-ST
0713-268.X	BFS-30-NE-G1-MS-NO-ST	0713-271.X	BFS-30-NE-G1-SS-NO-ST
0713-272.X	BFS-30-O-G1-MS-NO-ST	0713-274.X	BFS-30-O-G1-SS-NO-ST
0713-273.X	BFS-30-OE-G1-MS-NO-ST	0713-275.X	BFS-30-OE-G1-SS-NO-ST
0713-348.X	BFS-30-L-G1/2-MS-WE-ST	0713-351.X	BFS-30-L-G1/2-SS-WE-ST
0713-349.X	BFS-30-N-G1-MS-WE-ST	0713-352.X	BFS-30-N-G1-SS-WE-ST
0713-350.X	BFS-30-NE-G1-MS-WE-ST	0713-353.X	BFS-30-NE-G1-SS-WE-ST
0713-354.X	BFS-30-O-G1-MS-WE-ST	0713-356.X	BFS-30-O-G1-SS-WE-ST
0713-355.X	BFS-30-OE-G1-MS-WE-ST	0713-357.X	BFS-30-OE-G1-SS-WE-ST

Adapter

Brass	Process connection	Stainless Steel	Process connection
0799-026	1"...1/4"	0799-029	1"...1/4"
0799-027	1"...1/2"	0799-030	1"...1/2"
0799-028	1"...3/4"	0799-031	1"...3/4"

Order number example: Order number + switching range = 0713-266.X, 0,8...3,0 l/min

Note: ATEX versions not available.

Description

NO = normally open	NE = without indication, enlarged meas. range	MS = brass	Please specify switching range (see table on page previous) additional to order number.
WE = change-over	OE = with indication enlarged meas. range	SS = stainless steel	
	L = without indication, low cost		
	O = with indication		
	N = without indication		