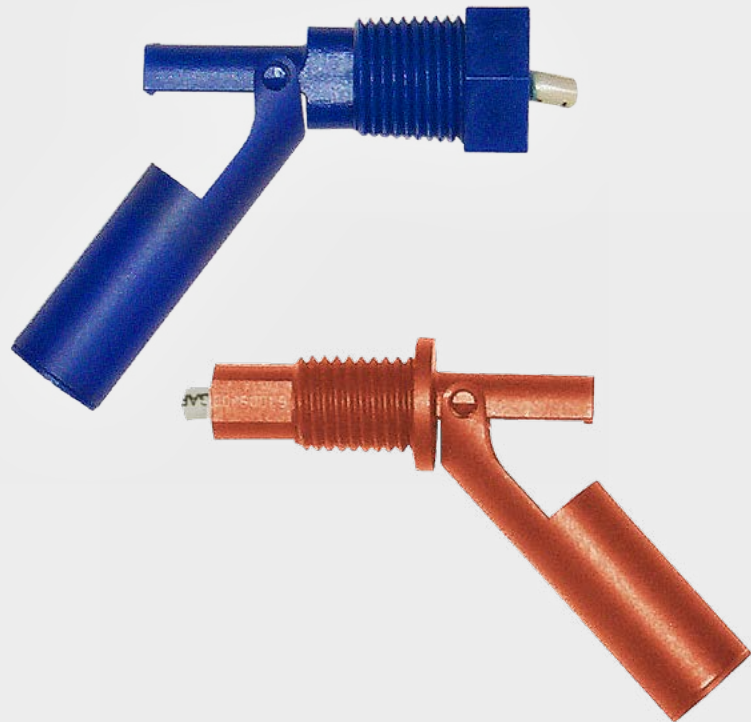


UNS

Single-Point Level Switches

DATA-
SHEETS
INSIDE



see the difference.

UNS

see the difference.

Float Bases Level Detection for Point-Level Control

Barksdale single-point level switches provide reliable liquid level detection using proven float technology. Designed for all kinds of application, they enable precise ON/OFF control in tanks, reservoirs, and process systems across a wide range of pressures, temperatures, and media types.

Key Features

- ▶ Wide range of mounting options (vertical, horizontal)
- ▶ Multiple material options (SS, plastics, etc.)
- ▶ High pressure & temperature capability
- ▶ Simple switching output (NO / NC / SPDT)
- ▶ Customizable switching point lengths
- ▶ Proven float technology – no calibration required
- ▶ Compact designs for tight installations

Markets

- ▶ Tanks & reservoirs
- ▶ Hydraulic systems
- ▶ Compressors & pumps
- ▶ Water & wastewater

Certifications & Approvals

To ensure the highest quality, our processes are ISO 9001:2015 certified - from the control of the materials used, the monitoring of the production facilities through to manufacturing. Barksdale offers a wide range of certificates for selected products.





Table of Contents

| Series | Description | Page |
|------------------------------|---|------|
| UNS-MS1/8-BN25 | Single-Level Brass Switch | 4 |
| UNS-VA1/8-VA27 | Single-Level Stainless Steel Level Switch | 5 |
| UNS-VA1/4-VA52 | Single-Level Stainless Steel Level Switch | 6 |
| UNS-PA16-PA18/ UNS-PP16-PP18 | Single-Level Polyamide Level Switch / Single-Level Polypropylene Level Switch | 7 |



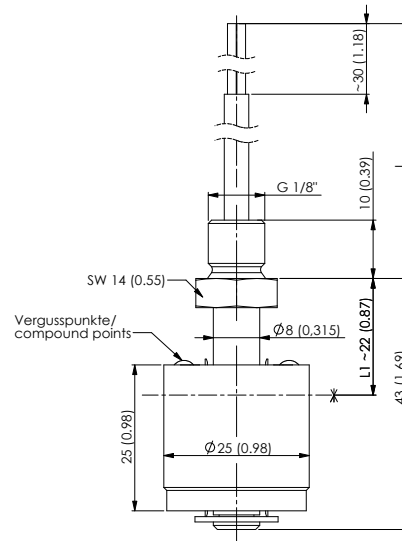
Single-Level Brass Switch

UNS-MS1/8-BN25

Technical Data

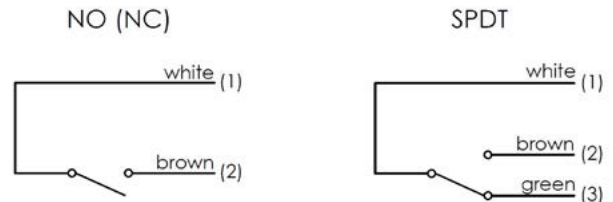
| | |
|--|--|
| Material | Brass |
| Mounting Position | Vertical, $\pm 30^\circ$, through top or bottom |
| Float Material | Buna-N |
| Float Diameter (in mm) | 25 |
| Operating Pressure Bar at 20 °C | 15 |
| Min. Fluid Specific Gravity in g/cm ³ | 0.57 |
| Protection Class | IP54 |
| Operating Temperature Oil | -20 °C...+100 °C |
| Water | -20 °C...+80 °C |
| Weight | 40 g |
| Approval | ATEX, IECEx, cULus, BV, DNV, LR, RINA |

Dimensions (mm / inch)



By turning the float upside down the function of the switch contact can be changed from NO (standard) in NC or vice versa. (Not possible with SPDT contacts). The contact modes (NO or NC) are defined on the basis of an empty tank and for a level switch mounted through the top.

Color Code



Order Code

| Order No. | Mounting Element | Cable Type | Cable Length* | Contact Mode and Rating |
|-----------|------------------|-------------------------------|---------------|---|
| 0111-464 | G1/8 | PVC-cable | 1m | NO/NC 230 V AC / DC 2 A, 40 VA / W |
| 0111-465 | | | 3m | |
| 0111-466 | | | 5m | |
| 0111-467 | | | 1m | SPDT 150 V AC / 100 V DC, 0.2 A, 3 VA / W |
| 0111-468 | | | 3m | |
| 0111-469 | | | 5m | |
| 0111-571 | NPT 1/8 | Max. 3 x 0.34 mm ² | 1m | NO/NC 230 V AC / DC 2 A, 40 VA / W |
| 0111-572 | | | 3m | |
| 0111-573 | | | 5m | |
| 0111-574 | | | 1m | SPDT 150 V AC / 100 V DC, 0.2 A, 3 VA / W |
| 0111-575 | | | 3m | |
| 0111-576 | | | 5m | |

*For longer lead length, consult factory.

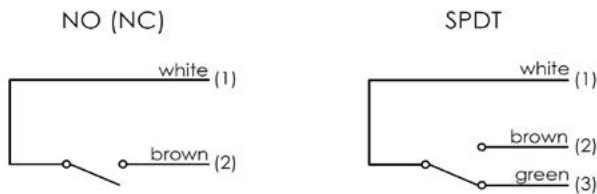
Single-Level Stainless Steel Level Switch

UNS-VA1/8 VA27

Technical Data

| | |
|--|---------------------------------------|
| Material | Stainless Steel |
| Mounting Position | vertical, ±30°, through top or bottom |
| Float Material | Stainless Steel |
| Float Diameter (in mm) | 27 |
| Operating Pressure Bar at 20 °C | 15 |
| Min. Fluid Specific Gravity in g/cm ³ | 0.71 |
| Protection Class | IP54 |
| Weight | 90 g |
| Approval | ATEX, IECEx, cULus, BV, DNV, LR, RINA |

Color Code

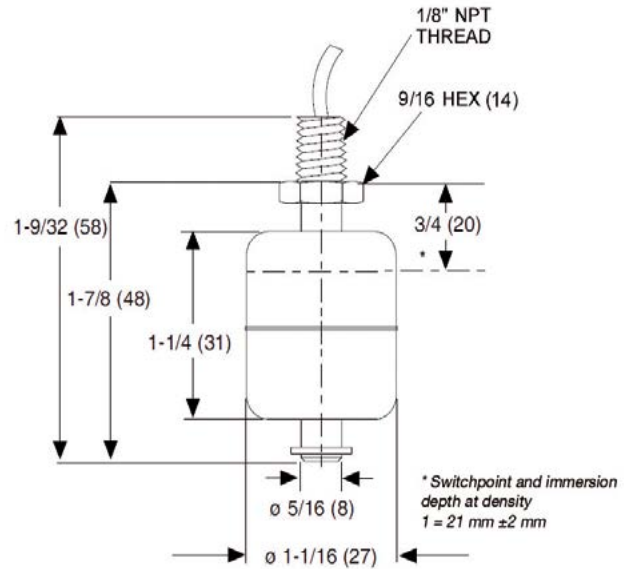


Order Code

| Order No. | Mounting Element | Cable Type | Cable Length* | Contact Mode and Rating | Operating Temperature |
|-----------|------------------|--|---------------|--|-----------------------|
| 0111-449 | G1/8 | PVC-cable Max. 3 x 0.34 mm ² | 1m | NO/NC 230 V AC / DC 2.0 A, 40 VA / W | -10 °C...+105 °C |
| 0111-450 | | | 3m | | |
| 0111-451 | | | 5m | | |
| 0111-452 | | | 1m | | |
| 0111-453 | | | 3m | | |
| 0111-454 | | | 5m | | |
| 0111-455 | | Silicone Max. 3 x 0.5 mm ² | 1m | NO/NC 230 V AC / DC 2.0 A, 40 VA / W | |
| 0111-456 | | | 3m | | |
| 0111-457 | | | 5m | | |
| 0111-458 | | | 1m | | |
| 0111-458 | | | 3m | | |
| 0111-460 | | | 5m | | |
| 0111-577 | NPT 1/8 | PVC-cable Max. 3 x 0.34 mm ² | 1m | NO/NC 230 V AC / DC 2.0 A, 40 VA / W | -10 °C...+105 °C |
| 0111-578 | | | 3m | | |
| 0111-579 | | | 5m | | |
| 0111-580 | | | 1m | | |
| 0111-581 | | | 3m | | |
| 0111-582 | | | 5m | | |

*For longer lead length, consult factory.

Dimensions (mm / inch)



By turning the float upside down the function of the switch contact can be changed from NO (standard) in NC or vice versa. (Not possible with SPDT contacts). The contact modes (NO or NC) are defined on the basis of an empty tank and for a level switch mounted through the top.

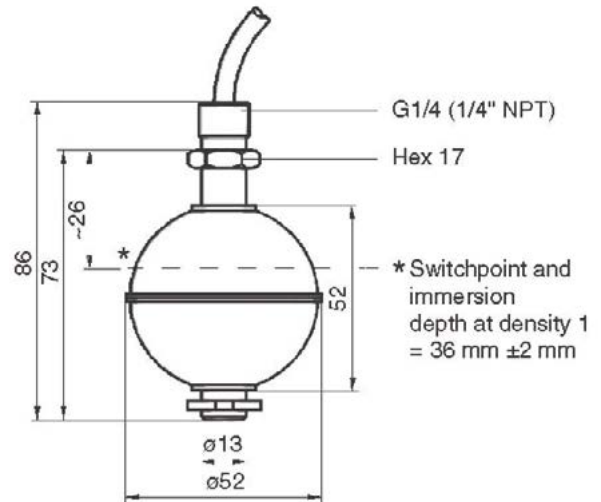
Single-Level Stainless Steel Level Switch

UNS-VA1/4-VA52

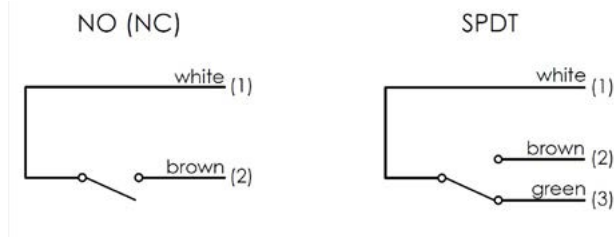
Technical Data

| | |
|--|--|
| Material | Stainless Steel |
| Mounting Position | vertical, $\pm 30^\circ$, through top or bottom |
| Float Material | Stainless Steel |
| Float Diameter (in mm) | 52 |
| Operating Pressure Bar at 20 °C | 40 |
| Min. Fluid Specific Gravity in g/cm ³ | 0.78 |
| Protection Class | IP54 |
| Weight | 40 g |
| Approval | ATEX, IECEx, cULus, BV, DNV, LR, RINA |

Dimensions (mm / inch)



Color Code



Order Code

| Order No. | Mounting Element | Cable Type | Cable Length* | Contact Mode and Rating | Operating Temperature | |
|-----------|------------------|--|---------------|---|-----------------------|------------------|
| 0111-482 | G1/4 | PVC-cable Max. 3 x 0.34 mm ² | 1m | NO/NC 250 V AC / DC 3.0 A, 100 VA / W | -10 °C...+105 °C | |
| 0111-483 | | | 3m | | | |
| 0111-484 | | | 5m | | | |
| 0111-485 | | | 1m | SPDT 140 V AC / DC, 1.0 A, 60 VA / W | | |
| 0111-486 | | | 3m | | | |
| 0111-487 | | | 5m | | | |
| 0111-488 | | | 1m | NO/NC 250 V AC / DC 3.0 A, 100 VA / W | | -40 °C...+150 °C |
| 0111-489 | | | 3m | | | |
| 0111-490 | | | 5m | | | |
| 0111-491 | | | 1m | SPDT 140 V AC / DC, 1.0 A, 60 VA / W | | |
| 0111-492 | 3m | | | | | |
| 0111-493 | 5m | | | | | |
| 0111-589 | NPT 1/4 | PVC-cable Max. 3 x 0.34 mm ² | 1m | NO/NC 250 V AC / DC 3.0 A, 100 VA / W | -10 °C...+105 °C | |
| 0111-590 | | | 3m | | | |
| 0111-591 | | | 5m | | | |
| 0111-592 | | | 1m | SPDT 140 V AC / DC, 1.0 A, 60 VA / W | | |
| 0111-593 | | | 3m | | | |
| 0111-594 | | | 5m | | | |

*For longer lead length, consult factory.

Single-Level Polyamide / Polypropylene Level Switch

UNS-PA16-PA18 / UNS-PP-16/18

Technical Data

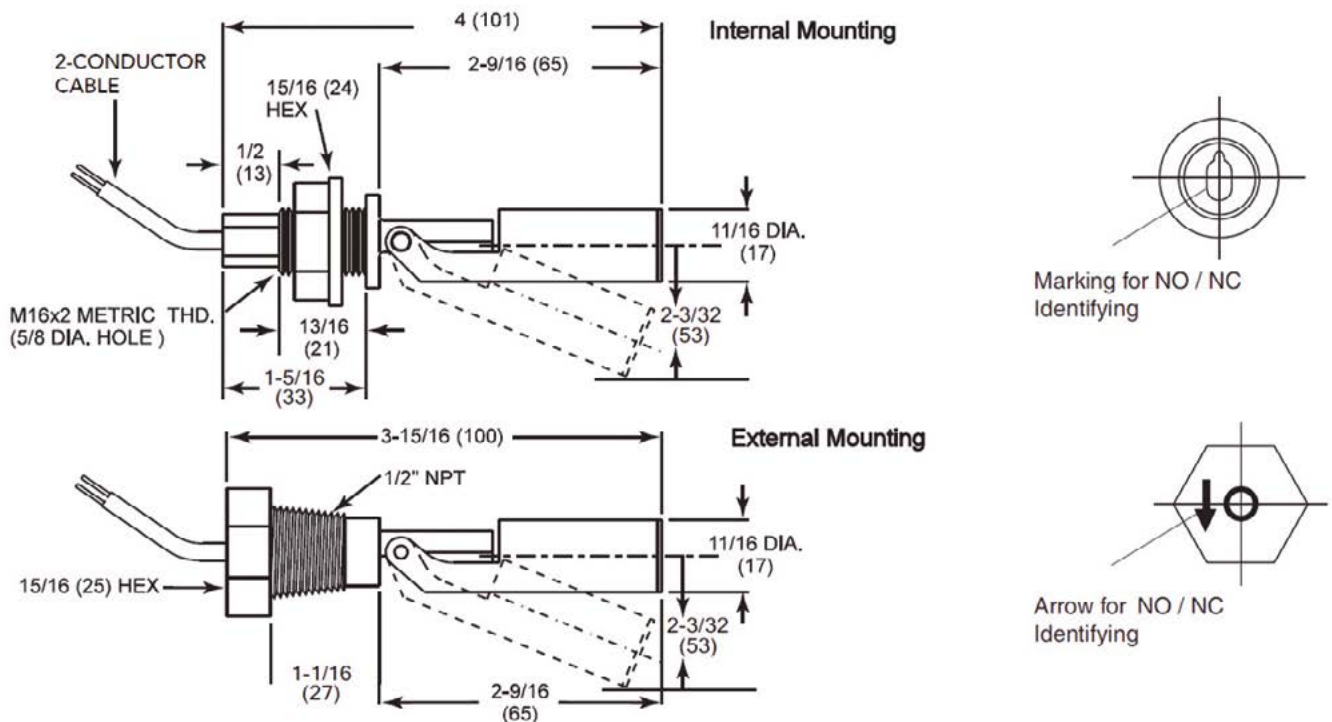
| | |
|---------------------------------|------------------------------------|
| Mounting Position | Horizontal for Side Mounting |
| Cable Type* | PVC, max. 2 x 0.34 mm ² |
| Float Diameter (mm) | 18 |
| Operating Pressure Bar at 20 °C | 4 |
| Protection Class | IP54 |
| Weight | 40 g |
| Max. Starting Torque | 2.67 Nm |
| Approval | cULus |

Order Code

| Order No. | Material | Mounting Element | Cable Length* | Contact Mode and Rating | Operating Temperature |
|-----------|---------------------|-----------------------------------|---------------|--|-----------------------|
| 0111-199 | Blue, Polyamide 6.6 | M 16 x 2.0 AG with Silicon gasket | 1m | NO/NC 230 V AC / DC 3.0 A, 60 VA / W | -20 °C...+120 °C |
| 0111-203 | | 1/2" NPT Thread | 1m | | |
| 0111-202 | | M 16 x 2.0 AG with Silicon gasket | 3m | | |
| 0111-205 | | 1/2" NPT Thread | 3m | | |
| 0111-210 | Red, Polypropylene | M 16 x 2.0 AG with Silicon gasket | 1m | | -20 °C...+90 °C |
| 0111-327 | | 1/2" NPT Thread | 1m | | |

*For longer lead length, consult factory.

Dimensions (mm / inch)



Design with Us



Leverage our Engineering Expertise

Customized Products for Your Project

Barksdale offers more than 50 product families and millions of configured options to measure, monitor and control processes essential to the industrial, power and transportation markets. We can make basic modifications to these standard products and options to ensure they are exactly matched to the project requirements.

Market-focused. Technology-driven. Customer-intimate.

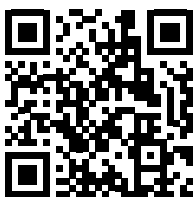
These elements at the heart of the company philosophy have made Barksdale a synonym for advanced measurement and control solutions since 1949. We continuously adapt our innovations to market requirements and offer customized solutions thanks to our global presence. With facilities in North America, Europe and Asia, we are a leading provider that combines close customer relationships with the highest level of technological expertise. Barksdale is part of the global Crane Co. Group. By utilizing synergy effects, growth and customer orientation are always the focus of all business units.

Barksdale®
CONTROL PRODUCTS
CRANE A SUBSIDIARY OF CRANE CO.

Barksdale GmbH – Germany
Dorn-Assenheimer-Straße 27
61203 Reichelsheim, Germany
www.barksdale.de

Barksdale Inc. – LA
3211 Fruitland Avenue
Los Angeles, CA 90058
www.barksdale.com

Barksdale – China
33F Huaihai Plaza, No 1045
Central Huaihai Road Shanghai
200031, P.R.China



Visit Barksdale.de to view our complete product portfolio.
Subject to technical change. Art-No. : Index: --- / 923-3006