

# Bilge Level Switch

## UNS-VA/SB4/5 Bilge Guard

Level switch with and without test function

### Features

- Rugged and sturdy design for bilge monitoring

### Applications

- Shipbuilding
- Sewage works
- Yacht building



### Technical Data

|   |   |
|---|---|
| Materials<br>Stem, bracket, float chamber:        | Stainless steel   |
| Float   | PE  |
| Cable   | Polymer, halogen-free, UL-V0  |
| Cap nut   | PA  |
| Operating Pressure                                | max. 3 bar (float / +20 °C)   |
| Temperature range                                 | max. -20 °C ... +70 °C  |
| Fluid specific gravity                            | min. 0.80 g/cm <sup>3</sup>   |
| Immersion depth<br>at density 1<br>at density 0.8 | 28 ±2 mm L1 ~18 mm<br>35 ±2 mm L1 ~11 mm  |
| Mounting position                                 | vertical ±15°   |
| Protection class                                  | IP67, IP68  |
| Electrical connection                             | Polymer cable, 2 x 0.75 mm <sup>2</sup>   |
| Cable length                                      | 2 m / 5 m / 10 m / 15 m   |
| Contact type*                                     | SPST switch (NO) (marking at bottom)<br>By turning the float upside down:<br>SPST switch (NC) (marking at top)  |
| Contact rating                                    | max. 230 V AC / DC<br>max. 2.0 A<br>max. 40 VA / W  |
| Weight  | SB4: approx. 175 g / SB5: approx. 180 g   |
| Approvals   | DNV, BV, RINA, LR<br>Optional:<br>-GE420: MED approval, wire break detection<br>-GE427: MED approval  |
| EX approval                                       | IECEX TUN 17.0039X<br>TÜV 18 ATEX 214370 X<br>II 1 G Ex ia IIB T6 Ga or<br>II 1/2 G Ex ia IIB T6 Ga/Gb or<br>II 2 G Ex ia IIB T6 Gb or<br>II 1 D Ex ia IIIC T100°C Da |

### Order Code

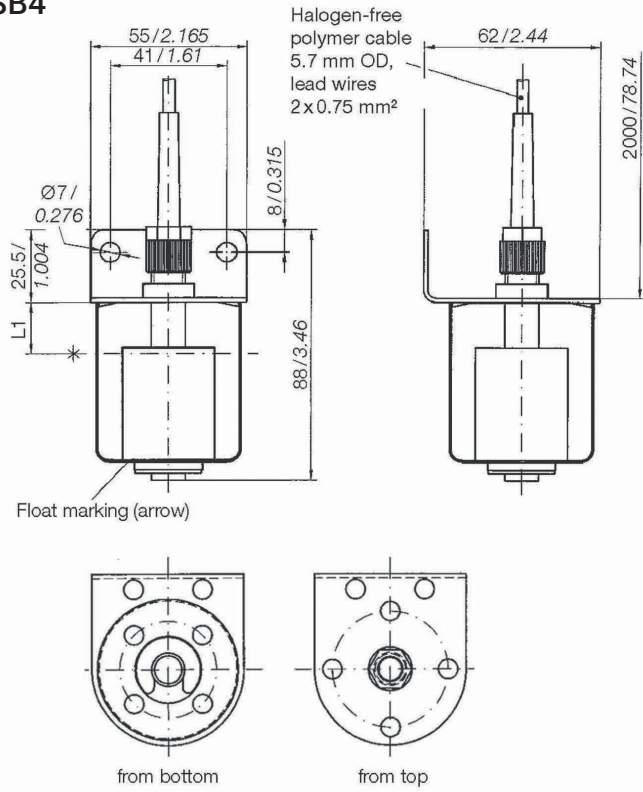
| Type                      | Contact type | Cable type/length | Order No. |
|---------------------------|--------------|-------------------|-----------|
| UNS-VA/SB4<br>Bilge Guard | NO (NC)      | Polymer / 2 m     | 0111-509  |
|                           | NO (NC)      | Polymer / 5 m     | 0111-529  |
|                           | NO (NC)      | Polymer / 10 m    | 0111-660  |
|                           | NO (NC)      | Polymer / 15 m    | 0111-528  |
| UNS-VA/SB5<br>Bilge Guard | NO (NC)      | Polymer / 2 m     | 0111-510  |
|                           | NO (NC)      | Polymer / 5 m     | 0111-652  |
|                           | NO (NC)      | Polymer / 10 m    | 0111-531  |
|                           | NO (NC)      | Polymer / 15 m    | 0111-534  |

| Type                                      | Contact type | Cable type/length | Order No. |
|---|--------------|-------------------|-----------|
| UNS-VA/SB4<br>Bilge Guard -<br>EX Version | NO (NC)      | Polymer / 2 m     | 0111-669  |
|   | NO (NC)      | Polymer / 5 m     | 0111-653  |
|   | NO (NC)      | Polymer / 10 m    | 0111-698  |
|   | NO (NC)      | Polymer / 15 m    | 0111-718  |
| UNS-VA/SB5<br>Bilge Guard -<br>EX Version | NO (NC)      | Polymer / 2 m     | 0111-537  |
|   | NO (NC)      | Polymer / 5 m     | 0111-716  |
|   | NO (NC)      | Polymer / 10 m    | 0111-765  |
|   | NO (NC)      | Polymer / 15 m    | 0111-760  |

\* The contact types (NO or NC) are defined on the basis of dry position of float and cable pointing vertically upwards.

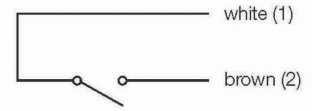
Dimensions (mm / inch)

SB4

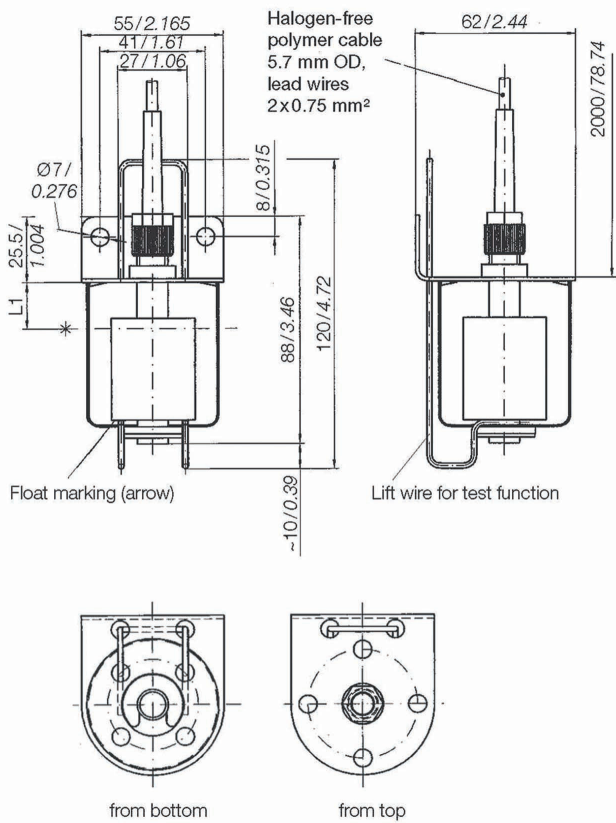


SB4

Color code  
NO (NC)



SB5



SB5

Color code  
NO (NC)

