

Diaphragm Seal Piston Press. Switches

E1H

Mechanical single switch
Repeatability ± 2.0 % at constant temperature

Features

Diaphragm seal piston pressure switch,
scale for setpoint reference

Adjustment ranges

-0.28 ... -0.9 bar and
0.1 ... 34 bar

Applications

Machine and tool engineering,
Dosing machines,
Plant engineering,
Sprinkler control



Technical Data

Wetted parts: Diaphragm:	NBR Optional: FKM, PTFE, EPDM, CR anodized aluminium
Process connection:	Optional: brass, polysulfone, aluminium nickel-plated
Repeatability:	± 1 % at constant temperature
Switching rate:	max. 20/min
Temperature range:	-30 °C... +70 °C
Protection class:	IP65
Housing:	Aluminium, anodized Top cover: Polycarbonate (PC)
Process connection: Pressure switches:	1/4" NPT female (P4) Optional: 1/8" NPT female 1/2" NPT male (P6) G1/4 female (P7)
Vacuum switches (VAC):	1/4" NPT female (P4) 1/8" NPT female + 1/2" NPT male (P6)
Electrical connection:	Screw terminals and cable gland M20x1.5 mm

Electrical ratings and hysteresis:	A large variety of micro switches offers different electrical ratings and hysteresis for many applications.
Weight:	E1H-...: approx. 0.7 kg
Set point adjustment: Pressure switches: Vacuum switches:	Turn the adjustment screw clockwise to increase the set point. Turn the adjustment screw clockwise to decrease the set point.
Intrinsically safe:	The switches are designed for intrinsically safe applications. In this case we recommend gold contacts. Please add "Exi" to your ordering details when placing an order. To comply with the intrinsically safe approval following max. ratings must not be exceeded: Umax = 28 V Imax = 50 mA
Approval:	---

Pressure Ranges

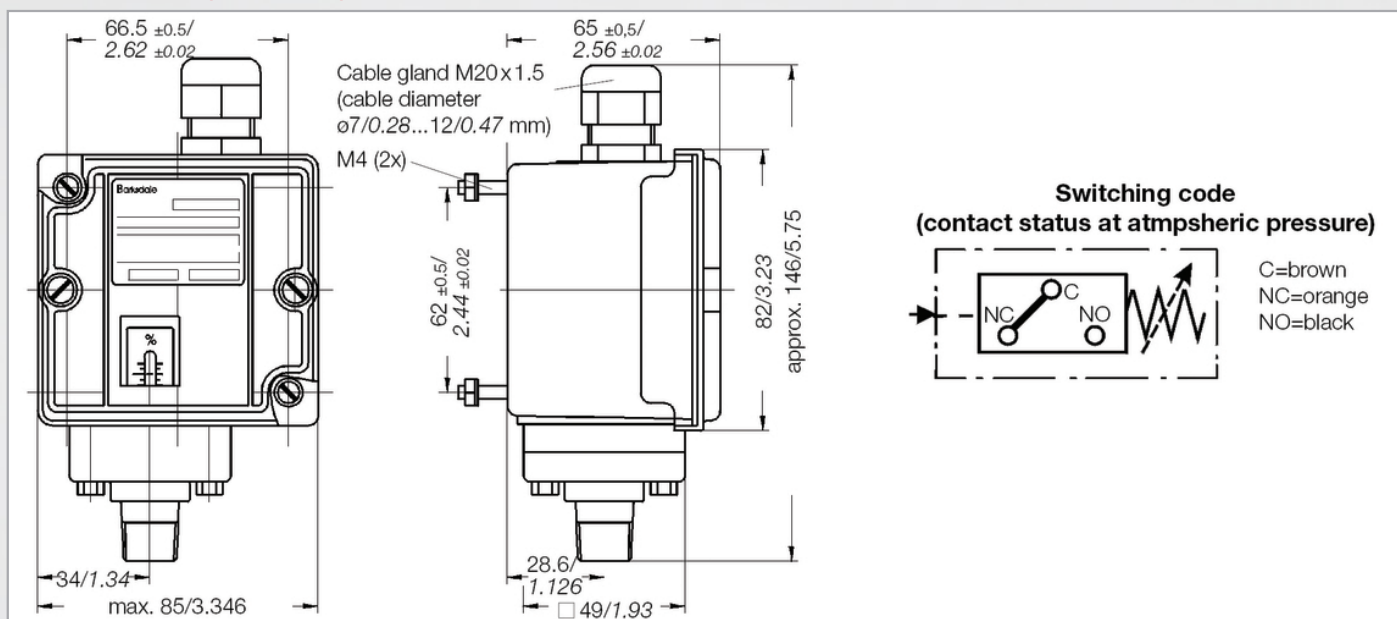
* Designed for 70 bar proof pressure, for practical production reasons, however, the standard proofing pressure is 30 bar.

Pressure range code	Adjustment range [bar]		Max. operating pressure [bar]	Proof pressure [bar] * (short term)	Max. hysteresis of switch types in bar (end of range)	
	Increasing press.	Decreasing press.			H, GH [bar]	M, [bar]
Pressure switches						
15	0.10 ... 1.0	0.04 ... 1.0	46	30 / 70	0.08	0.080
90	0.80 ... 6.0	0.20 ... 5.0	46	30 / 70	0.55	0.680
250	2.10 ... 17.0	0.70 ... 16.0	46	30 / 70	1.37	1.440
500	3.70 ... 34.0	1.72... 32.0	46	30 / 70	1.93	2.750
Vacuum switches						
VAC	-0.28 ... -0.9	-0.20 ... -0.82	2.0	-1.0	0.08	0.077

Diaphragm Seal Piston Press. Switches

E1H

Dimensions (mm / inch)



Electrical Ratings

Micro switch	Special features	Volt AC 50/60 Hz	Ind. load A	Res. load A	Volt DC	Ind. load A	Res. load A	Comments
H	Micro switch with silver contacts	125 250	10 10	10 10	6 to 24	0.50	0.5	Small hysteresis; High AC / low DC loads
M	Micro switch with silver contacts	125 250	10 10	10 10	12 24 250	5.00 1.00 0.25	15.0 2.0 0.4	Medium hysteresis; High AC and DC loads
GH	Micro switch with gold-plated contacts for low voltage and/or low current (e.g. "Exi")	125	1	1	24	1.00	1.00	Small hysteresis

Process Connection / Diaphragm

Process connection		Diaphragm	
Pressure switches	Vacuum switches	VAC	not VAC
(P4) 1/4" NPT female	(P4) 1/4" NPT female	() NBR	() NBR
(P6) 1/8" NPT female + 1/2" NPT male	(P6) 1/8" NPT female + 1/2" NPT male	(V) FKM	(V) FKM
(P6-PLS) material PLS, up to 17 bar only			(T) PTFE
(P7) G1/4 female			(N) CR *
			(E) EPDM*

* on request

Options

ST1	Plug, 3-pin + E, DIN EN 175 301-801-A (prev. DIN 43650)
EXI	for intrinsically safe application
RD	Manual reset with G-Micro switch

Order Code

Example for order number

Type	Micro switch	Pressure range code	Process connection	Diaphragm	Option
E1H	GH	250	P6	V	EXI

Your order number

Type	Micro switch	Pressure range code	Process connection	Diaphragm	Option